



## Perfection BBDD



SlipCon Finishing Systems is proud to introduce the next generation of brush sanders...

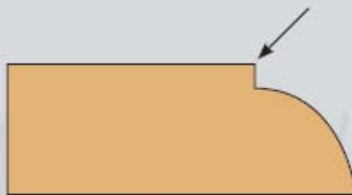
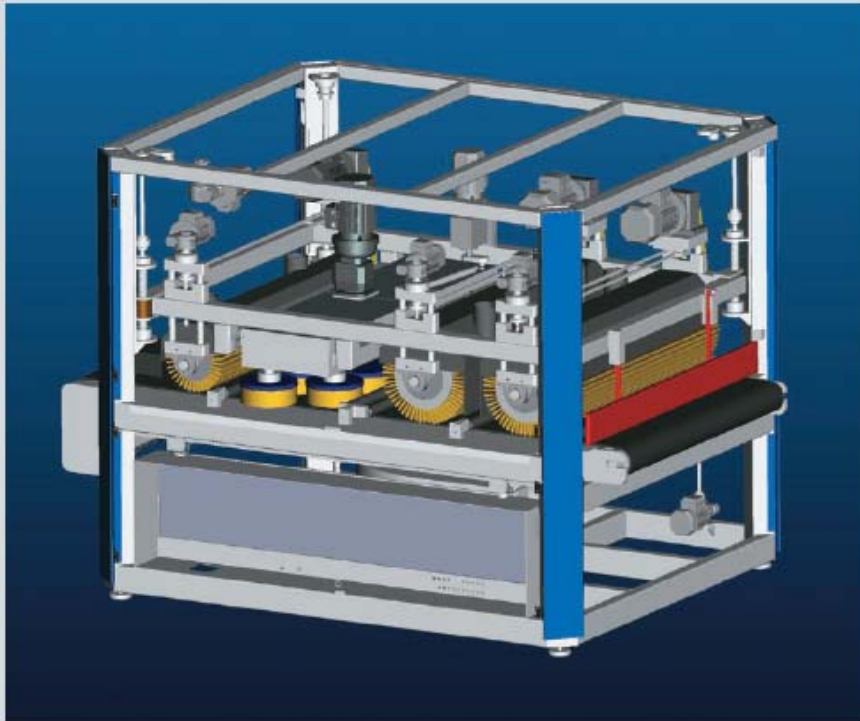
The SlipCon Perfection BBDD brush sander is the latest innovation in sanding technology, featuring a patented combination of rollers and oscillating discs. This unique system gives the greatest result for whitewood, stain, sealer and primer sanding for traditional and U.V. coatings.

The SlipCon Perfection BBDD sander is designed and built in our own factory in Denmark and incorporates our SlipCon abrasives. With the SlipCon Perfection you will get the best brush sander, the finest abrasives and the most innovative sanding technology on the market.

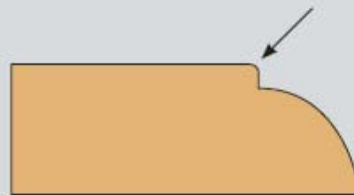
## Function of the machine

The work piece first passes under two large counter rotating spiral hubs and then under eleven rotating sanding discs. The sanding discs are mounted on a disc-station that oscillate from left to right and back again. The rotating and oscillating discs sand across the grain, as well as with the grain and deep into the profiles. Every point of the work piece is sanded from all angles and directions. As a result, the work piece is sanded uniformly across its entire surface. This combination of oscillating discs and rollers will give you a perfect edge-break for whitewood sanding and allows effective sealer sanding with no burn through. The Perfection sander is perfect for cabinet doors, face frames, drawer fronts, sheets goods, and much more.





Before sanded with Perfection



After sanded with Perfection

## Description of machine

The patented combination of rollers and rotating / oscillating discs makes the Perfection BBDD brush sander the ideal finishing solution for entry doors, cabinet doors, drawer fronts, sheet goods, shutters, face frames, furniture and much more.

The Perfection sander is the ideal solution for all sanding applications including whitewood, stain, and sealer coats (including UV).

The work piece first passes under two large counter rotating spiral hubs, then under eleven rotating discs that oscillate from left to right. This provides very uniform edge breaking in whitewood sanding and eliminates most (if not all) hand sanding of the sealer coat.

This patented combination of roller and rotating / oscillating discs provides very uniform sanding across the entire work piece, even into deep profiles without losing detail.

Because of its PLC touch screen controls, operation of the Perfection sander is very user friendly. All parameters including height of hold down rollers, height of sanding discs and rollers, speed of feed belt, and speed rotation of both discs and rollers are independently and fully adjustable.



## Perfection BBDD – Specifications

Thickness of Work Piece:	Min. 5 mm – Max. 100 mm
Conveyor Belt Width:	1350 mm (53")
Motor for Disc-Station:	1.5 kw 50-300 rpm
Disc Oscillation:	0.37 kw 0-60 rpm
Motor for Sanding Roller	2.2 kw 14-300 rpm
Diameter of Sanding Roller	400mm (16")
Vacuum Motor:	7.5 kw
Speed of Conveyor Belt:	0-15 m/min 0-45 fpm
Machine Weight:	2,500 kgs (5,000 lbs.)
Machine Dimensions:	W: 2000 mm L: 2820 mm H: 2000 mm
Machine Dimensions:	W: 79" L: 111" H 79"

## Standard Features

- Fully programmable PLC control with color touch screen and password lock-out, set up to 25 sanding programs (option)
- Panel cleaning brush with blowing device
- Interface control allows connection to finish line
- Separate variable speed adjustment for discs and rollers
- Photo-eye senses parts on conveyor, shuts down sander when not in use
- 40mm heavy-duty acme threads for raising and lowering discs and rollers.
- Motorized height of hold-down rollers, disc-station and sanding rollers (option).
- Easy changing of all abrasives
- Easily integrates with flat-line, tow-line or hang-line systems